

Space Heater Fire Safety

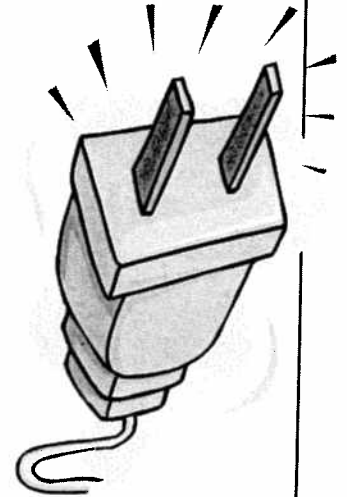
Space Heater Fires between 2003-2007

Sixty-one (61) space heater fires were reported to the Office of the State Fire Marshal between 2003-2007. While these fires are not frequent, they are deadly. One of every 10 space heater fires causes a fatality. These fires caused six civilian deaths, 10 civilian injuries, 14 fire service injuries and an estimated dollar loss of \$3 million. The average dollar loss for a space heater fire is \$48,700. Thirty percent (30%) of these fires were caused when combustible materials such as bedding, magazines, newspapers, clothing or furniture were too close to the heater, and another 8% were caused when rugs, carpets or mats were under or too close the heater.

Safety Tips

If you must use a space heater for heat, use it as safely as possible.

- When buying a heater, look for one that has been tested and labeled by a nationally recognized testing company.
- Keep the heater three feet away from drapes, furniture or other flammable materials. Place it on a level surface away from areas where someone might bump it and knock it over.
- If you must use an extension cord, make sure it is a heavy duty cord marked with a power rating at least as high as that on the label of the heater itself.
- Never leave a space heater unattended or running while you sleep.
- Keep electric heaters away from water. Never use them near a sink or in the bathroom.
- The sale and use of unvented kerosene heaters is illegal in Massachusetts.



FireFACTORS

Office of the State Fire Marshal
Commonwealth of Massachusetts

P.O. Box 1025, State Road • Stow, Massachusetts 01775 • 978 567-3300 • www.mass.gov/dfs