

Bid # K-21
ADDENDUM # 1
12/23/08

**Construction of a Park and Harborwalk at 15 Peabody Street
Salem, MA**

FEDERAL PREVAILING WAGE RATES

The Federal Prevailing Wage rates issued with Bid K-21 (MA20080006 Modification 13) have been superseded by MA20080006 Modification 14. **Bidders are directed to utilize the attached updated wage rates in bids.**

CHANGES TO TEXT

1. Section 01000, page 01000-1: Disregard the highlighted text.
2. Section 01000, page 01000-1, Paragraph 4: Change “Datum used for this project is Mean Low Water Datum.” TO “Datum used for this project shall be NGVD of 1929 (mean sea level=0.0) datum.”
3. Section 01000, page 01000-2: Disregard the highlighted text.
4. Section 01000, page 01000-3, Paragraph 14.A: Change “Attached to this section is the Order of Conditions for the work.” TO “Order of Conditions are included within the Permits Section of the Contract Documents.”
5. Section 02495, page 02495-1: Disregard the highlighted text.
6. Section 02495, page 02495-3: Disregard the highlighted text.
7. Section 05520-1, page 05520-3, paragraph 2.01: ADD paragraph B “Railing shall be AVCON Classic Series 1. Malibu or approved equal”
8. Section 02790 – 2.01.B – “Proprietary Products/Systems” & 02790-2.01.C – Change “Substitutions: No substitutions permitted” to “or equal with matching colors”

CHANGES TO DRAWINGS

Sheet L3.6, Detail 2: Change Com Core 21 Wood Bench to be Du Mor Inc. 105 Series 6’ bench with center armrest. Details are attached to Addendum 1. Contractors are directed to include this bench specification in bids for Add Alternate 4.

QUESTIONS SUBMITTED AT PRE-BID CONFERENCE AND IN WRITING

Question 1

Please confirm that we can use a 6’ chain link fence for site security versus the 8’ CLF specified in section 01500-1.15.A.

Answer 1

A 6’ fence can be used as site security. The permanent 125’ length of fence installed along the eastern property must be the 8’ security grade CLF as specified.

Question 2

Please provide detailed information for where we are to obtain power for the project. It appears it comes from the manholes at Derby Street. Please clarify.

Answer 2

Permanent power for the park project will be run as shown from Derby Street and shall occur in the Phase 2 portion of the Harborwalk. A temporary generator should be supplied by the contractor to test all lights and equipment associated with this contract to ensure that they are in working order.

Question 3

Please have the City and the electrical engineer work together to notify and obtain a work order from the appropriate utility company for this new service. This will save a lot of time and streamline the project which is on a tight schedule.

Answer 3

National Grid approved the original Harborwalk drawings which included the electrical drawings and obtaining power from Derby Street although a work order has not been generated. The City's Electrical Engineer will submit the required paperwork for approval.

Question 4

Please specify the proposed handhole/valve box/yard hydrant that the city would like us to use on sheet C2. Has the cross contamination agent for the city reviewed this yard hydrant?

Answer 4

Cut sheet is attached to Addendum 1 – include hydrant 71600-4 in bids.
No.

Question 5

Has the cross contamination agent for the city reviewed the water set up and possibility of a future water drinking fountain?

Answer 5

No.

Question 6

Please confirm that you would only like the item listed in 02730-2.01.C applied on the top course? It calls out 2 applications to the top course in 3.03.B.

Answer 6

Follow (1) application as specified in 2.01 C.

Question 7

Please review the elevation of the outside edge of the concrete harborwalk. Details 2 & 3 on sheet L-4 show elv. 14 and the elevation at the north side of the park is about 9.7 on L1.3. Other elevations are referenced on C1. Please clarify.

Answer 7

Details 2 and 3 on sheet L.4 should be changed from Elevation 14.0 to Elevation 9.6 (change from mean low water datum to the project datum of NGVD)

Question 8

The specifications for the precast concrete pavers (02780 – 3.03, 3.03 & 3.03 – pages 4&5???) mention placing directly on the asphalt setting bed with a neoprene product, while the details and pay item ask for a sand setting bed over either an asphalt base or a gravel base. Please clarify.

Answer 8

Payment and installation should follow details 1 & 2 on sheet L3.1 and the pay items 02780-1 & 02780-2 as written.

Question 9

Assuming we are installing the interpretive sign only(02495-2.04). No materials other than concrete & sonotubes. Please confirm.

Answer 9

The Contractor is responsible for purchasing and installation of the interpretive sign (metal frame) and associated installation materials needed to for installation. The City will provide the Contractor with the sign board to be inserted into the metal frame after installation.

Question 10

Is there a detail and location for the wood bench in 06150, item 06150-1?

Answer 10

Detail is attached to Addendum 1.

Question 11

There are only (6) wood benches (02800 & detail 2/L3.6) indicated on drawing (L1.1) for alternate #4, which has a quantity of (8) listed. Please clarify.

Answer 11

There are (8) benches shown on L1.1

Question 12

What material are we to use for the 125 LF of Fence at Peabody Street, item 05500-5? Please provide detail and location.

Answer 12

Chain link material to be used is called out in spec section 02820 – 2.03 Chain Link Fence

Question 13

Please clarify the number of trash receptacles for the project. We are assuming that there are (2) Big Belly for the harborwalk (02495), (2) Big Belly for the park (02800) & (2) Big Belly for alternate #3.

Answer 13

The (2) big belly receptacles for the park (02800) are add alternate #3.

Question 14

Please provide a detail and location for the wood panels @ art wall (06150-2).

Answer 14

Wood panels at the art wall have been removed from this contract (note: wood panels were included in the prior 15 Peabody Park bid).

Question 15

Please clarify the color of the 8' CLF – (02820-2). Specifications, details and unit price description calls out the color black. Sheet L2.0 makes reference to the color “Blue” which is not available from the specified manufacturer.

Answer 15

CLF color should be Black.

Question 16

Are we to provide a recessed area for the art tiles to attach to the concrete seatwalls so that they are flush when installed?

Answer 16

No. Tiles are to be set on the face of the wall with no recess. The term “flush” refers to the tiles being level and flush with the top of the wall not the face of the wall.

Question 17

Can onsite loam be reused?

Answer 17

Top 2 inches can probably be reused, depending on what the contractor finds onsite. New loam is included in bids.

Question 18

How long will it take to get soil test results for area to be backfilled at the Harborwalk?

Answer 18

The test results will take about 1 week but the hole can be secured and construction can continue during this time period.

Question 19

Should the detail 2 sheet L3.1 include the 6" aggregate base below the asphalt to match the other asphalt details?

Answer 19

Yes. Bid item 02780-1 has been changed to include the 6" aggregate base. A revised Bid Item form, page is included in Addendum 1.

ITEM NO.	QUANTITY	ITEM OF WORK WITH UNIT PRICE WRITTEN IN WORDS	UNIT PRICE	PRICE
02730-2	1445 Square Feet	Stone Dust Paving on Aggregate Base (Including 2" compacted stone dust lift, 6" compacted aggregate base course, and sub-grade compaction) _____ Per Square Foot		
02740-1	30 Square Feet	Bituminous Concrete Paving @ Water Service Trench (Including 2" type I-1 surface course, 3" type I-1 binder course, 8" dense graded crushed stone, compacted backfill, 1'-0" minimum sand bedding) _____ Per Square Foot		
02780-1	826 Square Feet	Pre-Cast Concrete Unit Pavers on Asphalt Base (Including 12" square pavers, 2" sand setting bed, 4" asphalt base course, 6" aggregate base course and sub-grade compaction) _____ Per Square Foot		
02780-2	1187 Square Feet	Pre-Cast Concrete Unit Pavers on Aggregate Base (Including 12" square pavers, 2" sand setting bed, 6" aggregate base course, and sub-grade compaction) _____ Per Square Foot		

71600 SERIES

YARD HYDRANT, BOX TYPE • NON-FREEZE

APPLICATION

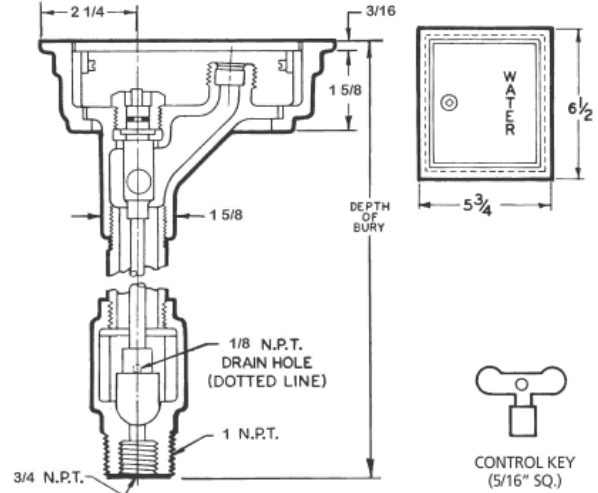
For use where an outside potable water supply is required. The 1/8" NPT hole drains the body for frost protection and the recessed box with hinged latching cover conceals the nozzle and operating mechanism and prevents unauthorized use.

SPECIFICATION

JOSAM 71600 Series cast bronze non-freeze yard Hydrant with 3/4" H.P.T. outlet, satin finish face Nikaloy box, hinged latching cover, bronze casing, Neoprene plunger, removable bronze operating parts and straight inlet with standard hose connection.

Available Options

- 52 Satin Finish Face, Bronze Box
- 91 1" Hose Pipe Threaded Outlet
- 95 Cylinder Vandal-Proof Lock
- 97 1/8" Tapped Drain Hole in Box



TYPE NO.	SIZE	LBS.
71600-2	2' Bury	6
71600-3	3' Bury	8
71600-4	4' Bury	11
71600-5	5' Bury	13
71600-6	6' Bury	15

BWV, HYDRANTS & SHOCKS

71650 SERIES

TRI-TEMP WALL HYDRANT, BOX TYPE • NON-FREEZE

APPLICATION

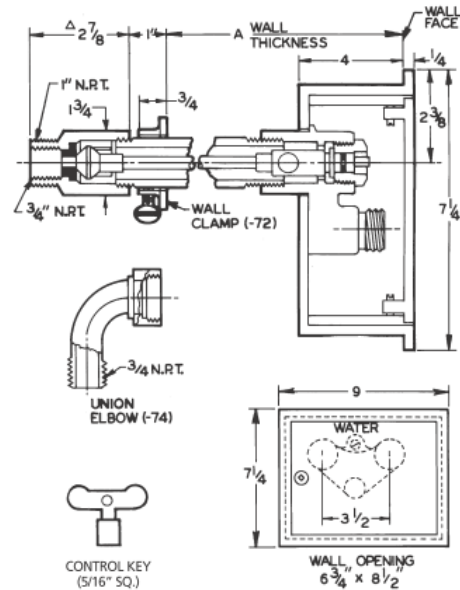
For use where a potable supply of cold, hot or mixed water is required such as dairies or wash down sites. The shut off design provides for frost protection and the recessed box with hinged latching cover conceals the nozzle and operating mechanism and prevents unauthorized use.

SPECIFICATION

JOSAM 71650 Series TRI-TEMP cast bronze non-freeze wall Hydrant with T-Handle, satin finish face Nikaloy box, hinged latching cover, bronze casings, Neoprene plungers, removable nylon seats, removable bronze operating parts, 3/4" female and 1" male N.P.T. inlet connections for hot and cold water and a mixing chamber with 3/4" H.P.T. outlet.

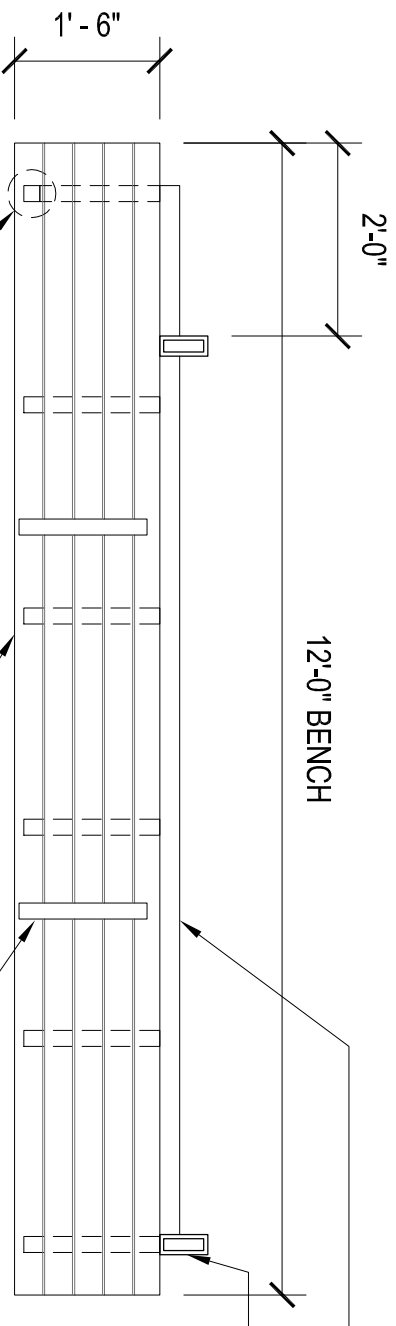
Available Options

- 72 Wall Clamps
- 73 Solder Inlet Adapters
- 74 Union Elbow Assemblies
- 81 Vacuum Breaker
- 91 1" Hose Pipe Threaded Outlet
- 95 Cylinder Vandal-Proof Lock



TYPE NO.	A	LBS.	TYPE NO.	A	LBS.
71650-6	6	24	71650-16	16	29
71650-8	8	25	71650-18	18	30
71650-10	10	26	71650-20	20	31
71650-12	12	27	71650-22	22	32
71650-14	14	28	71650-24	24	33

△ WHEN UNION ELBOW IS USED, THIS DIM. IS 5-3/8" OVERALL.



2 1/2x4x1/4 STL TUBE BEAM -
WELD FULL TO POSTS

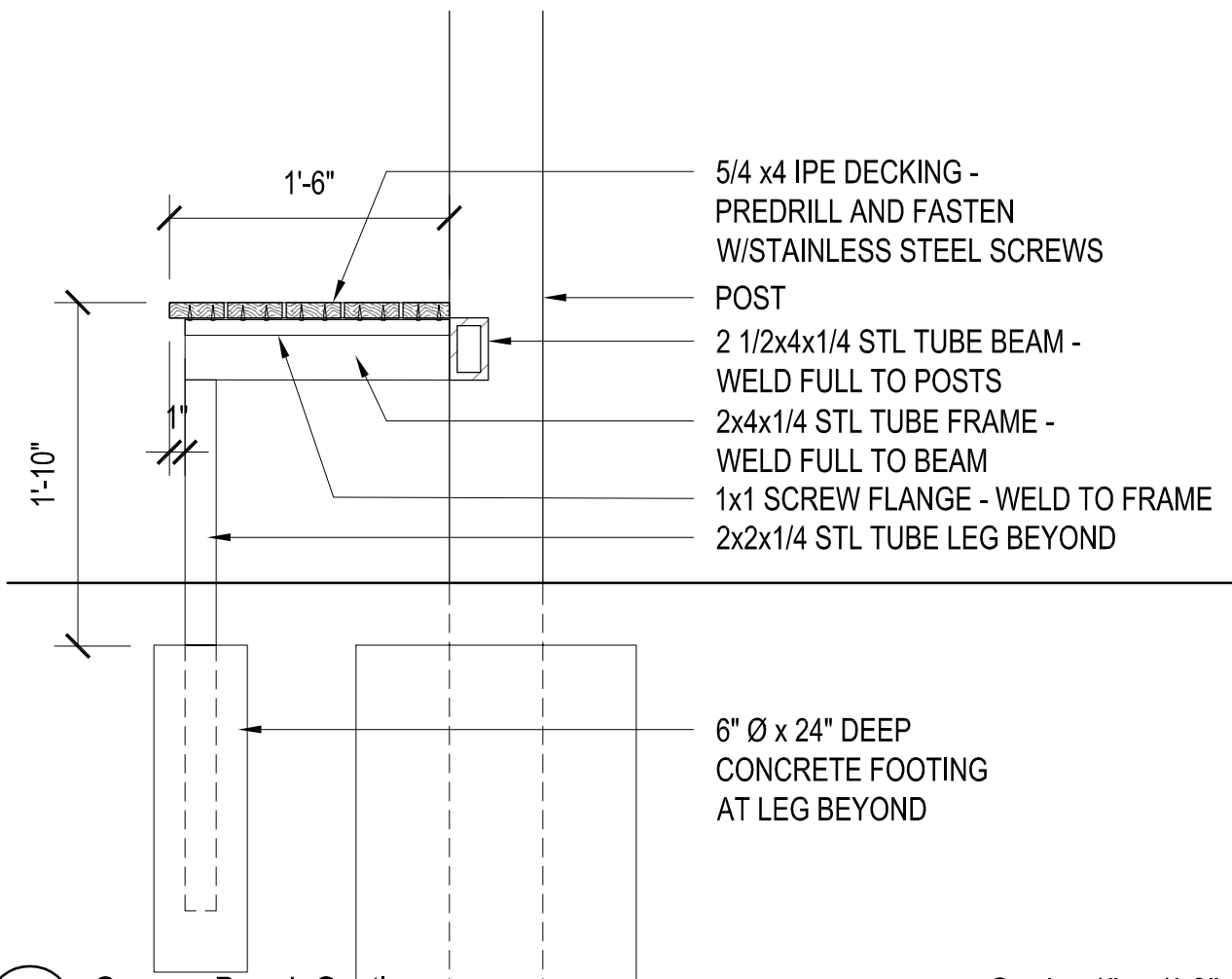
POSTS

ARMREST AS MANUFACTURED
BY DUMOR, INC
CANTILEVERED STL TUBE FRAME -
TYPICAL FOR 5
STL TUBE LEG IN CONCRETE FOOTING

15 Canopy Bench Plan

Scale: 1/4" = 1'-0"

LANDWORKS STUDIO, INC. 112 Shawmut Ave, Studio 6B Boston, MA 02118 P: 617-426-3030 F: 617-426-3033	PROJECT NAME: 15 Peabody Street	DRAWING NAME: BENCH PLAN	SKETCH NO.: SKL-1
DATE: 12/23/08	SCALE: ASNOTED	DWG NO.: L3.7	



16 Canopy Bench Section

Scale: 1" = 1'-0"

LANDWORKS STUDIO, INC.
 112 Shawmut Avenue, Studio 6B
 Boston, MA 02118
 P: 617-426-3030
 F: 617-426-3033

PROJECT NAME:
 15 Peabody Street

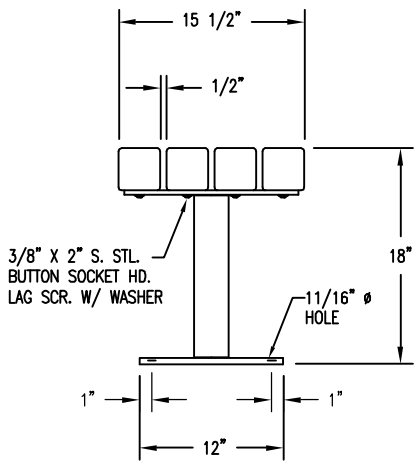
DATE:
 12/23/08

SCALE:
 AS NOTED

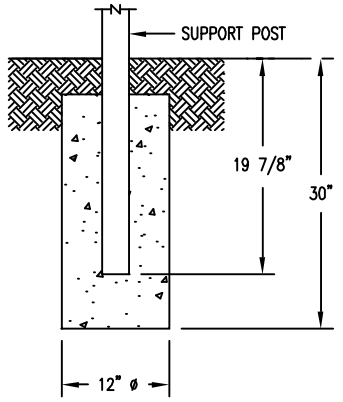
DRAWING NAME:
 BENCH SECTION

DWG NO.: L3.7

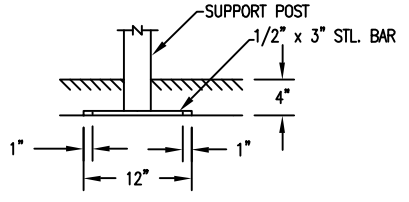
SKETCH NO.:
SKL-2



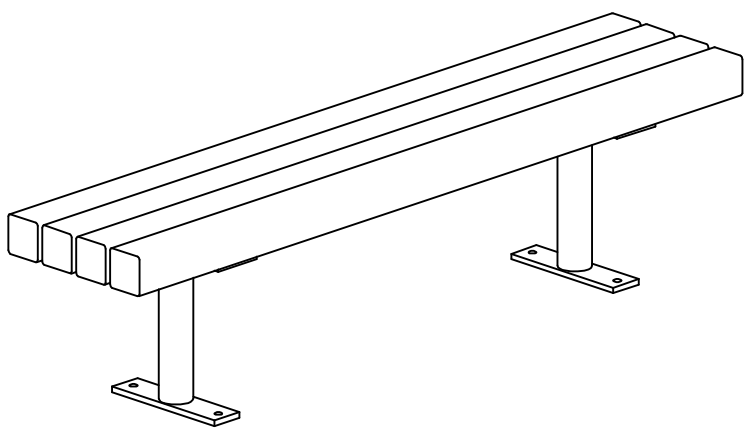
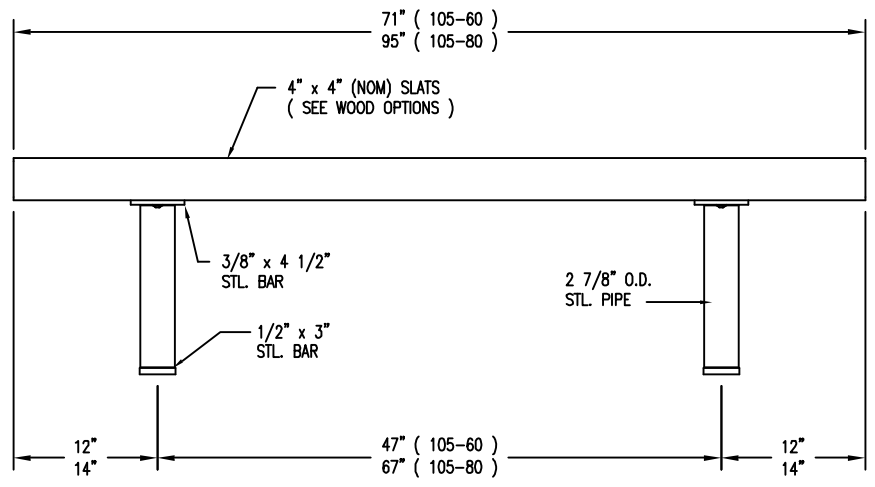
S-2 SURFACE



S-1 EMBEDMENT



S-4 SUB FLOOR



LENGTH OPTIONS

- 6' BENCH
- 8' BENCH

NOTES

- 1.) ALL STL. MEMBERS COATED W/ ZINC RICH EPOXY THEN FINISHED W/ POLYESTER POWDER COATING.
- 2.) ALL WOOD MEMBERS TREATED W/ CLEAR PRESERVATIVE.
- 3.) 1/2" X 3 3/4" EXPANSION ANCHOR BOLTS PROVIDED FOR S-2 & S-4 OPTIONS.

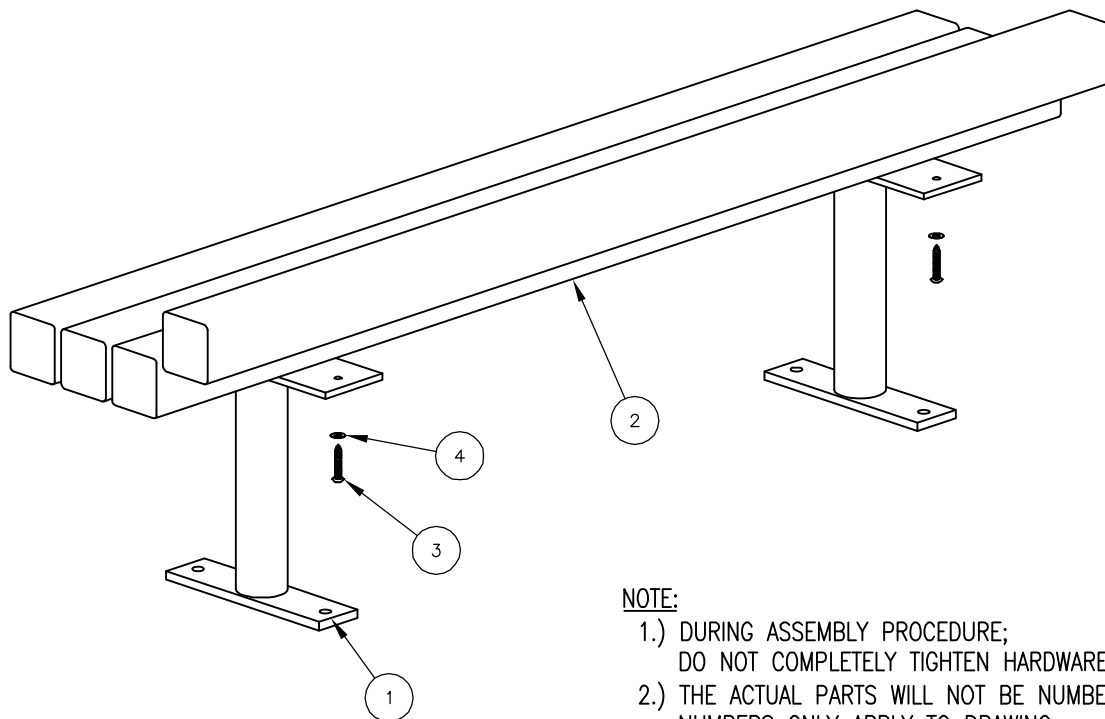
WOOD OPTIONS

- CLEAR ALL HEART REDWOOD S4S EE
- 'C' & BTR. DOUGLAS FIR KD S4S EE
- CLEAR WESTERN RED CEDAR S4S EE
- OTHER _____

DuMor, inc.
P.O. Box 142 Mifflintown, PA 17059-0142

SCALE :	NONE
DATE DRAWN :	1/18/97
DRAWN BY :	AH
DATE REV. :	1/14/05
REV. BY :	AWH

TITLE :	BENCH	
REV.	D	DRAWING NUMBER
		105 SERIES
		SHEET
		1 OF 2



NOTE:

- 1.) DURING ASSEMBLY PROCEDURE;
DO NOT COMPLETELY TIGHTEN HARDWARE.
- 2.) THE ACTUAL PARTS WILL NOT BE NUMBERED;
NUMBERS ONLY APPLY TO DRAWING
- 3.) SEE SPEC SHEET 1 FOR MOUNTING OPTION.

STEP 1:

USE 2 - PCS. SUPPORT FOR SURFACE MOUNT (1)
 4 - PCS. 4" X 4" X 71" WOOD SLAT (2)
 8 - PCS. 3/8" X 2" SS. BTN. SKT. HD. LAG SCR. (3)
 8 - PCS. 3/8" SS. FLAT WASHER (4)
 ATTACH 4" X 4" X 71" WOOD SLAT (2) TO SUPPORT FOR SURFACE MOUNT (1) USING HARDWARE (3 & 4). TIGHTEN TO SNUG FIT. REPEAT UNTIL ALL SLATS ARE ATTACHED.

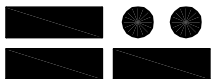
STEP 2:

UPON COMPLETION OF BENCH ASSEMBLY SQUARE ALL COMPONENTS THEN TIGHTEN ALL HARDWARE.

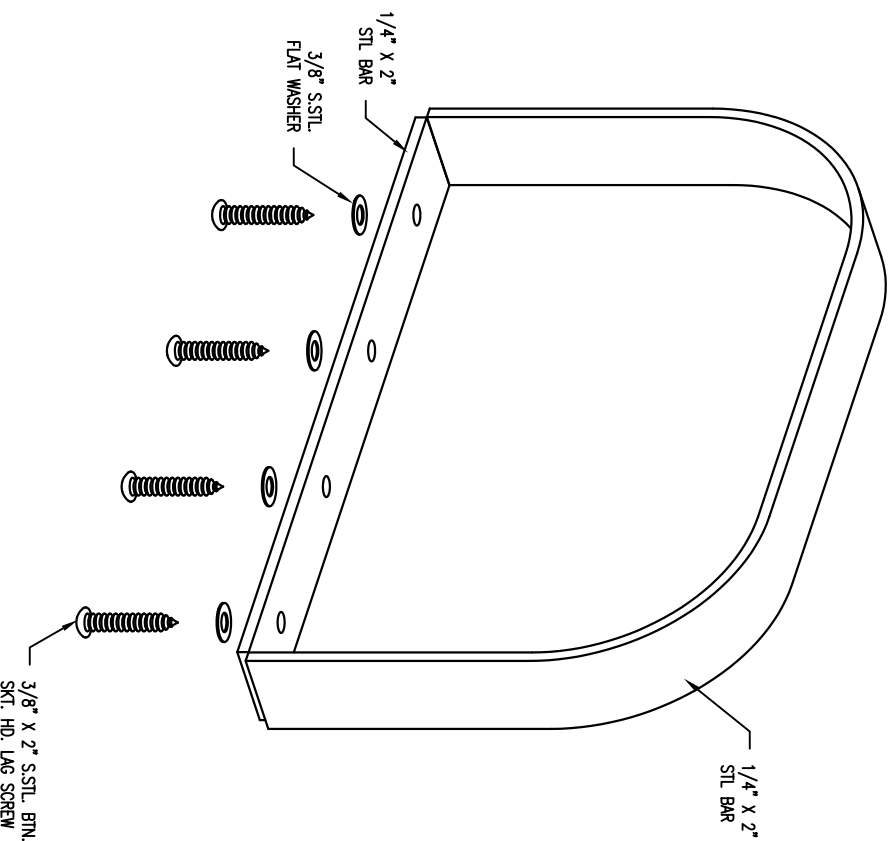
STEP 3:

ANCHOR ACCORDING TO SUPPORT OPTION USED.

ITEM	QTY	PART NO	DESCRIPTION
1	2	0-105-00-01/S-2	SUPPORT FOR SURFACE MOUNT
2	4	0-56-60-01	4" X 4" X 71" WOOD SLAT
3	8	1-13-016	3/8" X 2" SS BTN SKT HD LAG SCR
4	8	1-22-024	3/8" SS FLAT WASHER

 DuMor, inc. P.O. Box 142 Mifflintown, PA 17059-0142	SCALE :	NONE	TITLE :		BENCH ASSEMBLY
	DATE DRAWN :	1/18/97			
	DRAWN BY :	AH	REV.	DRAWING NUMBER	105 SERIES
	DATE REV. :	1/14/05	D		
REV. BY :	AWH				

PILOT HOLE CHART	
WOOD SPECIES	PILOT HOLE DIA
REDWOOD	1/4"
DOUG FIR	1/4"
WESTERN RED CEDAR	1/4"
IPE	11/32"
PLASTIC	9/32"



- NOTES
- 1.) ARMREST COATED W/ ZINC RICH EPOXY THEN FINISHED W/ POLYESTER POWDER COATING.
 - 2.) LOCATE ARMREST 4" MIN FROM EDGE OF SLAT TO ARMREST HOLE CENTER AND MARK HOLES ON SLATS.
 - 3.) FIELD DRILL PILOT HOLES FOR LAG SCREWS, SEE CHART.

DATE DRAWN :	06/20/08
DRAWN BY :	ESS
DATE REV. :	
REV. BY :	

TITLE	ARMREST & HARDWARE	
REVISION	A	DRAWING NUMBER
		105-00AR

GENERAL DECISION: MA20080006 12/19/2008 MA6

Date: December 19, 2008

General Decision Number: MA20080006 12/19/2008

Superseded General Decision Number: MA20070007

State: Massachusetts

Construction Type: Highway

Counties: Bristol, Essex, Middlesex, Norfolk, Plymouth and Suffolk Counties in Massachusetts.

HIGHWAY CONSTRUCTION PROJECTS

Modification Number	Publication Date
0	02/08/2008
1	02/15/2008
2	03/07/2008
3	03/21/2008
4	04/04/2008
5	06/06/2008
6	06/20/2008
7	07/04/2008
8	08/08/2008
9	08/15/2008
10	09/05/2008
11	09/26/2008
12	10/10/2008
13	11/14/2008
14	12/19/2008

BRMA0001-016 09/01/2008

FOXBORO CHAPTER

BRISTOL (Attleboro, Berkley, Dighton, Mansfield, North Attleboro, Norton, Raynham, Rehoboth, Seekonk, Taunton); NORFOLK (Bellingham, Canton, Dedham, Foxboro, Franklin, Norfolk, Norwood, Planville, Sharon, Walpole, Westwood, Wrentham); and PLYMOUTH (Lakeville)

	Rates	Fringes
CEMENT MASON/CONCRETE FINISHER...	\$ 42.54	22.29

BRMA0001-017 09/01/2008

LOWELL CHAPTER

MIDDLESEX (Ashland, Framingham, Holliston, Hopkinton, Hudson, Maynard, Natick, Sherborn, Stow); and NORFOLK (Medfield, Medway, Millis)

	Rates	Fringes
CEMENT MASON/CONCRETE FINISHER...	\$ 42.54	22.29

BRMA0003-018 08/01/2008

NEWTON CHAPTER

MIDDLESEX (Newton) and NORFOLK (Dover, Needham, Wellesley)

Rates	Fringes
-------	---------

CEMENT MASON/CONCRETE FINISHER...\$ 43.54 21.36

BRMA0003-019 08/01/2008

NEW BEDFORD CHAPTER

BRISTOL (Acushnet, Darmouth, Fairhaven, Fall River, Freetown, New Bedford, Somerset, Swansea, Westport); PLYMOUTH (Marion, Mattapoisett, Rochester, Wareham)

Rates Fringes

CEMENT MASON/CONCRETE FINISHER...\$ 43.54 21.36

BRMA0003-020 08/01/2008

QUINCY CHAPTER

NORFOLK (Avon, Braintree, Cohasset, Holbrook, Quincy, Randolph, Soughton, Weymouth); PLYMOUTH (Abington, Bridgewater, Brockton, Carver, Duxbury, East Bridgewater, Halifax, Hanover, Hanson, Hingham, Hull, Kinston, Marshfield, Middleboro, Norwell, Pembroke, Plymouth, Rockland, Scituate West Bridgewater, Whitman)

Rates Fringes

CEMENT MASON/CONCRETE FINISHER...\$ 43.54 21.36

* CARP0026-002 09/01/2008

BRISTOL (Attleborough, North Attleborough); ESSEX; MIDDLESEX (Except Belmont, Cambridge, Everett, Malden, Medford, Somerville); NORFOLK (Bellingham, Canton, Foxboro, Franklin, Medfield, Medway, Millis, Needham, Norfolk, Norwood, Plainville, Quincy, Sharon, Walpole, Wellesley, Westwood, Wrentham); AND PLYMOUTH (Duxbury, Hanover, Hingham, Hull, Marshfield, Norwell, Pembroke, Rockland and Scituate) COUNTIES

Rates Fringes

CARPENTER.....\$ 31.08 20.69

* CARP0033-002 09/01/2008

MIDDLESEX (Belmont, Cambridge, Everett, Malden, Medford, Somerville); NORFOLK (Brookline, Dedham, Milton); and SUFFOLK

Rates Fringes

CARPENTER.....\$ 36.48 20.94

CARP0056-005 09/01/2007

All of SUFFOLK COUNTY; and those areas of BRISTOL, ESSEX, MIDDLESEX, NORFOLK, and PLYMOUTH COUNTIES situated INSIDE Boston Beltway (I-495) and North of Cape Cod Canal

Rates Fringes

PILEDRIVERMAN.....\$ 34.82 21.84

CARP0056-006 01/01/1900

Those areas of BRISTOL, PLYMOUTH, and NORFOLK COUNTIES situated

OUTSIDE Boston Beltway (I-495) and South of Cape Cod Canal

	Rates	Fringes
PILEDRIVERMAN.....	\$ 34.82	21.94

 CARP0056-007 09/01/2007

Those areas of ESSEX and MIDDLESEX COUNTIES situated OUTSIDE Boston Beltway (I-495)

	Rates	Fringes
PILEDRIVERMAN.....	\$ 34.82	21.94

 * CARP0424-003 09/01/2008

NORFOLK COUNTY (Braintree, Cohasset, Scituate, Weymouth, Quincy)

	Rates	Fringes
CARPENTER.....	\$ 31.08	20.69

 * CARP0624-003 09/01/2008

BRISTOL (except Attleboro & North Attleboro); DUKES; NANTUCKET; NORFOLK(Avon, Holbrook, Randolph, Stoughton); AND PLYMOUTH (REMAINDER OF COUNTY

	Rates	Fringes
CARPENTER.....	\$ 31.08	20.69

 ELEC0099-003 06/01/2007

BRISTOL (Attleboro, North Attleboro, Seekonk)

	Rates	Fringes
ELECTRICIAN.....	\$ 33.38	47.41%

 ELEC0103-006 09/01/2008

ESSEX (Amesbury, Andover, Boxford, Georgetown, Groveland, Haverhill, Lawrence, Merrimac, Methuen, Newbury, Newburyport, North Andover, Rowley, Salisbury, West Newbury); MIDDLESEX (Bedford, Billerica, Boxboro, Burlington, Carlisle, Chelmsford, Dracut, Dunstable littleton, Lowell, North Reading, Tewksbury, Tyngsboro, Westford, Wilmington)

	Rates	Fringes
ELECTRICIAN.....	\$ 40.73	22.52

 ELEC0103-007 09/01/2008

ESSEX (Beverly, Danvers, Essex, Gloucester, Hamilton, Ipswich, Manchester, Marblehead, Middleton, Peabody, Rockport, Salem, Topsfield, Wenham)

	Rates	Fringes
ELECTRICIAN.....	\$ 40.73	22.52

ELEC0103-008 09/01/2008

ESSEX (Lynn, Lynnfield, Nahant, Saugus, Swampscott); MIDDLESEX (Acton, Arlington, Belmont, Cambridge, Concord, Everett, Framingham, Holliston, Lexington, Lincoln, Malden, Maynard, Medford, Melrose, Natick, Newton, Reading, Sherborn, Somerville, Stoneham, Sudbury, Wakefield, Waltham, Watertown, Wayland, Weston, Winchester, Woburn); NORFOLK (Bellingham, Braintree, Brookline, Canton, Cohasset, Dedham, Dover, Foxboro, Franklino, Medfield, Medway, Millis, Milton, Needham, Norfolk, Norwood, Quincy, Sharon, Walpole, Wellesley, Westwood, Weymouth, Wrentham); PLYMOUTH (Hingham, Hull); SUFFOLK

	Rates	Fringes
ELECTRICIAN.....	\$ 40.73	22.52

ELEC0104-002 09/03/2006

	Rates	Fringes
Line Construction:		
Cableman.....	\$ 30.51	7.64+A
Equipment Operator.....	\$ 30.51	11.64+A
Groundman.....	\$ 19.74	7.64+A
Lineman.....	\$ 35.89	12.64+A

FOOTNOTE:

a. PAID HOLIDAYS: New Year's Day; Memorial Day; Independence Day; Labor Day; Thanksgiving Day; Christmas Day and Columbus Day, provided the employee has been employed 5 working days prior to any one of the listed holidays.

ELEC0223-003 09/01/2008

BRISTOL (except Attleboro, North Attleboro, Seekonk); PLYMOUTH (except Hingham and Hull) NORFOLK (Avon, Randolph, Holbrook, Stoughton, and Plainview Twps)

	Rates	Fringes
ELECTRICIAN.....	\$ 33.80	16.17

* ENGI0004-004 12/01/2008

	Rates	Fringes
Power equipment operators:		
Backhoes; Cranes; Loaders;		
Front-end Loaders;		
Concrete Pavers; Post Hole		
Diggers.....	\$ 36.86	20.23+A
Graders; Mechanics; Rollers.	\$ 36.54	20.23+A
Oilers (other than truck		
cranes and gradalls).....	\$ 21.00	20.23+A
Oilers (truck cranes &		
gradalls).....	\$ 23.82	20.23+A
Pumps.....	\$ 26.81	20.23+A

HOURLY PREMIUM FOR BOOM LENGTHS (Including Jib):

Over 150 ft	+1.95
Over 185 ft	+3.42
Over 210 ft	+4.80
Over 250 ft	+7.28

Over 295 ft +10.08
Over 350 ft +11.73

FOOTNOTE:

A. PAID HOLIDAYS: New Year's Day, Washington's Birthday,
Labor Day, Memorial Day, Independence Day, Patriot's Day,
Veteran's Day, Thanksgiving Day, and Christmas Day.

IRON0007-004 09/16/2008

Rates Fringes

IRONWORKER

BRISTOL (Easton); ESSEX
(Beverly, Gloucester, Lynn,
Lynnfield,
Manchester, Marblehead,
Nahant, Salem, Saugus,
Swampscott); MIDDLESEX
(Arlington, Bedford,
Belmont, Burlington,
Cambridge, Concord,
Everett, Framingham,
Lexington, Lincoln,
Malden, Maynard, Medford,
Melrose, Natick, Newton,
Reading, Sherborn,
Somerville, Stoneham,
Sudbury, Wakefield,
Waltham, Watertown,
Wayland, Weston,
Winchester, Woburn);
NORFOLK (Except Medway);
PLYMOUTH (Abington,
Bridgewater, Brocton,
Duxbury, East Bridgewater,
Halifax, Hanover, Hanson,
Hingham, Hull, Kingston,
Marshfield, Norwell,
Pembroke, Plymouth,
Plympton, Rockland,
Scituate, West
Bridgewater, Whitman);
SUFFOLK.....\$ 34.89 22.85
ESSEX (Amesbury, Andover,
Boxford, Danvers, Essex,
Georgetown, Hamilton,
Haverhill, Ipswich,
Lawrence, Merrimac,
Methuen, Newbury,
Newburyport, North
Andover, Rockport, Rowley,
Salisbury, Topsfield,
Wenham, West Newbury);
MIDDLESEX (Action,
bellerica, Carlisle,
Chelmsford, Dracut,
Dunstable, Groton,
Groveland, Littleton,
Lowell, Middleton, North
Reading, Pepperell,
Tewksbury, Tynsboro,
Westford, Wilmington).....\$ 30.48 22.85

IRON0007-013 09/16/2008

MIDDLESEX (Ashby, Ashland, Ayer, Boxboro, Holliston, Hopkinton, Hudson, Marlboro, Shirley, Stow, Townsend); NORFOLK (Medway)

	Rates	Fringes
IRONWORKER.....	\$ 34.89	22.85

IRON0037-003 12/31/2007		

BRISTOL (Acushnet, Attleboro, Berkley, Dartmouth, Dighton, Fairhaven, Fall River, Freetown, Mansfield, New Bedford, North Attleboro, Norton, Raynham, Rehoboth, Seekonk, Somerset, Swansea, Taunton, Westport); NORFOLK (Billingham, Franklin, Plainville, Wrentham); PLYMOUTH (Lakeville, Marion, Mattapoisett, Middleboro, Rochester, Wareham)

	Rates	Fringes
IRONWORKER.....	\$ 29.40	17.67

* LABO0022-003 12/01/2008		

SUFFOLK COUNTY (Boston, Chelsea, Revere, Withrop, Deer & Nut Island); MIDDLESEX COUNTY (Arlington, Belmont, Burlington, Cambridge, Everett, Malden, Medford, Melrose, Reading, Somerville, Stoneham, Wakefield, Winchester, Winthrop, and Woburn only); NORFOLK COUNTY (Brookline, Dedham, and Milton only)

	Rates	Fringes
Laborers:		
Airtrack operator, Curb Setter, Block pavers, rammer, hydraulic and similar self-powered drills.	\$ 29.25	17.05
Asphalt Raker; Drill Operator; Fence and Guardrail Erector; Mason Tender; Pipelayer, laser beam operator.....	\$ 28.75	17.05
Flagger.....	\$ 22.85	17.05
Haz-mat Laborer.....	\$ 30.50	17.05
Powdermen, Blaster.....	\$ 29.40	17.05
Unskilled Laborer; Cement Finisher Tender.....	\$ 28.50	17.05

* LABO0022-004 12/01/2008		

Counties of BRISTOL; ESSEX; PLYMOUTH; MIDDLESEX (with the exception of Arlington, Belmont, Burlington, Cambridge, Everett, Malden, Medford, Melrose, Reading, Somerville, Stoneham, Wakefield, Winchester, Winthrop and Woburn); NORFOLK (with the exception of Brookline, Dedham, and Milton)

	Rates	Fringes
Laborers:		
Air-track operator, Curb Setter, Block Pavers, rammer, Hydraulic, and similar self-powered drills.	\$ 27.30	15.65
Asphalt Raker; Drill Operator; Fence and		

Guardrail Erector; Mason Tender; Pipelayer, Laser beam operator.....	\$ 26.80	15.65
Flagger.....	\$ 20.65	15.65
Haz-mat Laborer.....	\$ 28.55	15.65
Powdermen Blaster.....	\$ 27.55	15.65
Unskilled Laborer; Cement Finisher Tender.....	\$ 26.55	15.65

PAIN0035-002 07/01/2008

BRISTOL ,ESSEX AND PLYMOUTH COUNTIES; AND THE REMAINDER OF
MIDDLESEX NORFOLK AND SUFFOLK COUNTIES

	Rates	Fringes
Painters:		
NEW CONSTRUCTION:		
Bridge.....	\$ 41.26	19.70
Brush, Taper.....	\$ 30.76	19.70
Spray, Sandblast.....	\$ 32.16	19.70
REPAINT:		
Bridge.....	\$ 41.26	19.70
Brush, Taper.....	\$ 28.82	19.70
Spray, Sandblast.....	\$ 30.22	19.70

PAIN0035-014 07/01/2008

MIDDLESEX (Cambridge, Everett, Malden, Medford, Somerville)
SUFFOLK COUNTY (Boston, Chelsea) NORFOLK COUNTY (Brookline)

	Rates	Fringes
Painters:		
NEW CONSTRUCTION:		
Bridge.....	\$ 41.26	19.70
Brush, Taper.....	\$ 36.55	19.70
Spray, Sandblast.....	\$ 37.95	19.70
REPAINT:		
Bridge.....	\$ 41.26	19.70
Brush, Taper.....	\$ 34.61	19.70
Spray, Sandblast.....	\$ 36.01	19.70

PLAS0534-002 07/01/2008

ESSEX; MIDDLESEX; NORFOLK AND SUFFOLK COUNTY

	Rates	Fringes
CEMENT MASON/CONCRETE FINISHER...	\$ 34.66	25.10

SUMA1990-005 04/01/1990

	Rates	Fringes
BRICKLAYER.....	\$ 20.61	4.87
Line Construction:		
Groundman.....	\$ 12.09	3.90
PAINTER		
Spray (Linestriping).....	\$ 19.40	6.42
Power equipment operators:		
Cold Planer.....	\$ 20.84	5.98

Gradall.....	\$ 21.53	5.39
Spreader.....	\$ 21.67	5.08

TRUCK DRIVER

Truck Drivers 2 - axle.....	\$ 16.74	4.12
Truck Drivers 5 - axle.....	\$ 18.00	3.66

TEAM0379-002 06/01/2008

	Rates	Fringes
--	-------	---------

Truck drivers:

Three-Axle.....	\$ 29.87	11.51+A+B
-----------------	----------	-----------

FOOTNOTES FOR TRUCK DRIVERS:

A. PAID HOLIDAYS:

New Year's Day, Washington's Birthday, Memorial Day, Independence Day, Labor Day, Patriot's Day, Columbus Day, Veteran's Day, Thanksgiving Day and Christmas Day

B. PAID VACATION:

Employees with 4 months to 1 year of service receive 1/2 day's pay per month; 1 week vacation for 1 - 5 years of service; 2 weeks vacation for 5 - 10 years of service; and 3 weeks vacation for more than 10 years of service

WELDERS - Receive rate prescribed for craft performing operation to which welding is incidental.
=====

Unlisted classifications needed for work not included within the scope of the classifications listed may be added after award only as provided in the labor standards contract clauses (29CFR 5.5 (a) (1) (ii)).

In the listing above, the "SU" designation means that rates listed under the identifier do not reflect collectively bargained wage and fringe benefit rates. Other designations indicate unions whose rates have been determined to be prevailing.

WAGE DETERMINATION APPEALS PROCESS

1.) Has there been an initial decision in the matter? This can be:

- * an existing published wage determination
- * a survey underlying a wage determination
- * a Wage and Hour Division letter setting forth a position on a wage determination matter
- * a conformance (additional classification and rate) ruling

On survey related matters, initial contact, including requests for summaries of surveys, should be with the Wage and Hour Regional Office for the area in which the survey was conducted because those Regional Offices have responsibility for the Davis-Bacon survey program. If the response from this initial

contact is not satisfactory, then the process described in 2.) and 3.) should be followed.

With regard to any other matter not yet ripe for the formal process described here, initial contact should be with the Branch of Construction Wage Determinations. Write to:

Branch of Construction Wage Determinations
Wage and Hour Division
U.S. Department of Labor
200 Constitution Avenue, N.W.
Washington, DC 20210

2.) If the answer to the question in 1.) is yes, then an interested party (those affected by the action) can request review and reconsideration from the Wage and Hour Administrator (See 29 CFR Part 1.8 and 29 CFR Part 7). Write to:

Wage and Hour Administrator
U.S. Department of Labor
200 Constitution Avenue, N.W.
Washington, DC 20210

The request should be accompanied by a full statement of the interested party's position and by any information (wage payment data, project description, area practice material, etc.) that the requestor considers relevant to the issue.

3.) If the decision of the Administrator is not favorable, an interested party may appeal directly to the Administrative Review Board (formerly the Wage Appeals Board). Write to:

Administrative Review Board
U.S. Department of Labor
200 Constitution Avenue, N.W.
Washington, DC 20210

4.) All decisions by the Administrative Review Board are final.

=====

END OF GENERAL DECISION