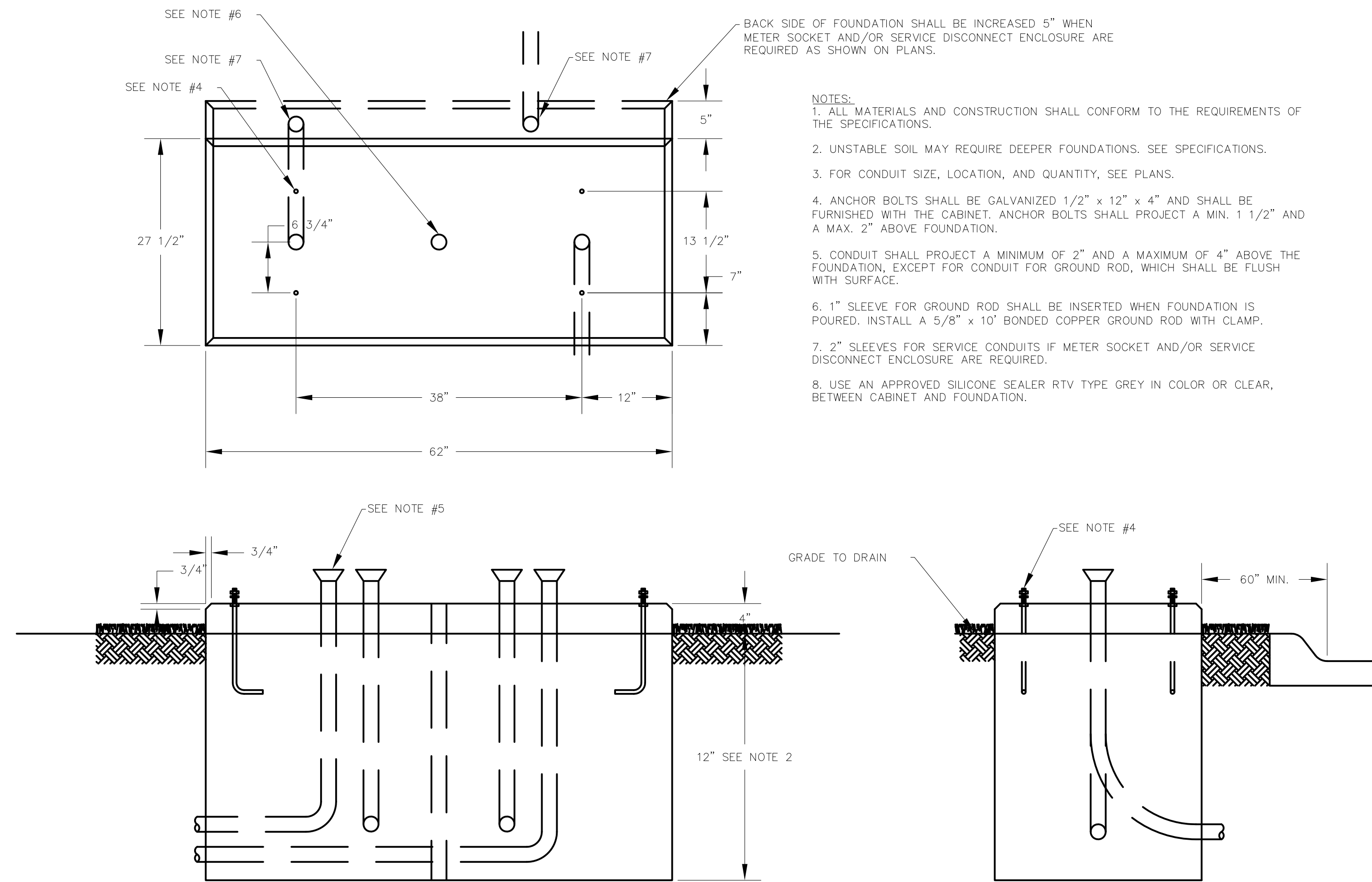
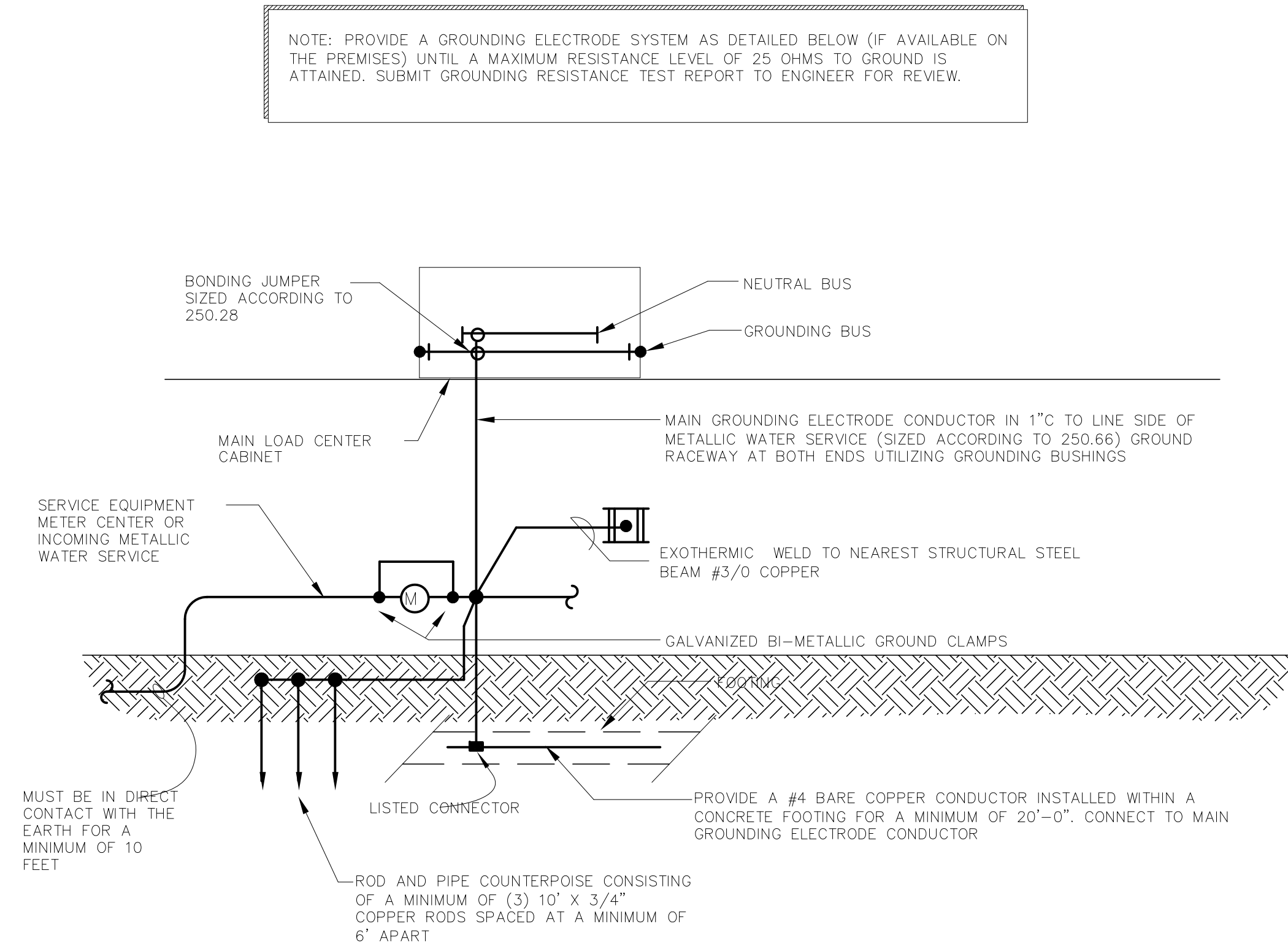


LOAD CENTER CABINET PAD DETAIL



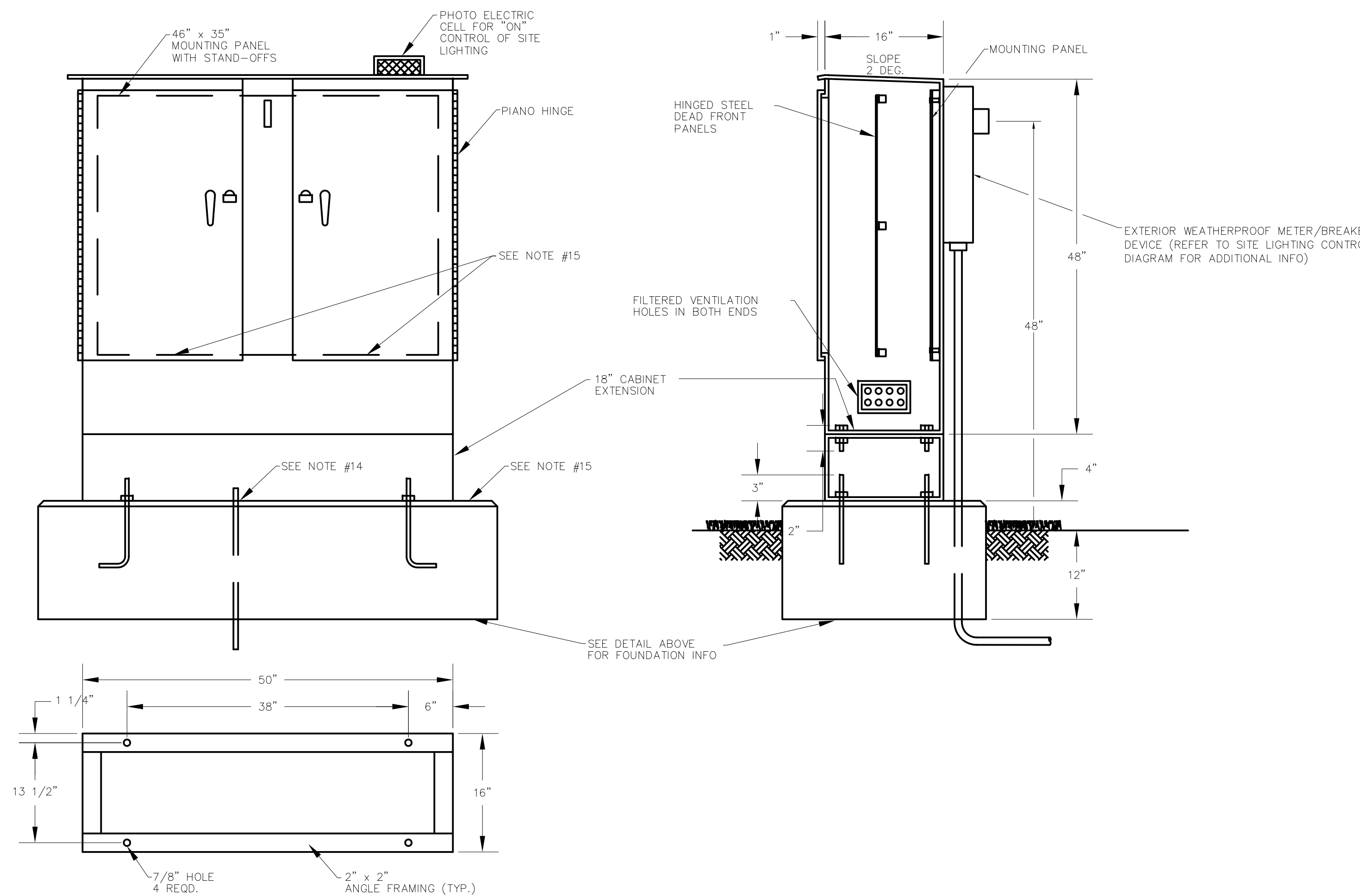
MAIN SERVICE GROUNDING ELECTRODE SYSTEM DIAGRAM

N.T.S



TYPICAL LOAD CENTER CABINET DETAIL

- NOTES:**
1. INSTALL FREE STANDING AND SELF-SUPPORTING LOAD CENTER CABINET, PER THE PROJECT PLANS AND DETAILS, NEMA-3R CONSTRUCTION. USE 5052-H32 SHEET ALUMINUM ALLOY, THICKNESS 0.125 INCH, FOR CABINET HOUSING AND DOORS.
2. USE HELIARC WELDING METHOD FOR ALL EXTERNAL AND INTERNAL CONTINUOUS WELDS. MAKE WELDS FREE OF CRACKS, BLOW HOLES AND OTHER IRREGULARITIES. MAKE INSIDE AND OUTSIDE EDGES OF CABINET FREE OF BURRS, AND PROVIDE A SMOOTH, UNIFORM AND NATURAL ALUMINUM FINISH. CABINET SHALL BE FACTORY PAINTED FLAT BLACK.
3. MAKE FULL HEIGHT DOORS WHICH USE STAINLESS HINGES AND HAVE DOOR STOPS AND LOCKS.
4. USE TAMPER-PROOF CABINETS SO AS TO PREVENT INSERTION OF WIRES OR OBJECTS INSIDE THE CABINET BY UNAUTHORIZED PERSONS.
5. PROVIDE BOLT-ON CIRCUIT BREAKERS IN PANELBOARD LLC.
6. PROVIDE A SLOPED SURFACE ON THE TOP OF THE CABINET SO AS TO PREVENT WATER ACCUMULATION.
7. PROVIDE DOUBLE FLANGED DOOR OPENINGS ON ALL (4) FOUR SIDES TO INCREASE STRENGTH AROUND THE OPENINGS AND ALSO TO KEEP AWAY ANY LIQUID OR DIRT FROM ENTERING THE ENCLOSURE WHEN THE DOOR IS OPENED.
8. USE DOOR RESTRAINTS TO PREVENT DOOR MOVEMENT WHEN OPENED IN WINDY CONDITIONS.
9. FURNISH GASKETING FOR DOORS WHICH SATISFY PHYSICAL PROPERTIES AS FOUND IN UL 508 TABLE 21.1. MAKE WEATHER TIGHT SEALS BETWEEN THE CABINET AND THE DOOR.
10. USE 1/4"-20 300 SERIES STAINLESS STEEL CARRIAGE BOLTS AND 300 SERIES STAINLESS STEEL LOCK NUTS FOR BOLTING HINGES TO THE CABINET AND THE DOOR.
11. FURNISH HINGES MADE OF 017-14 GUAGES 300 SERIES STAINLESS STEEL. WELD THE TOP AND BOTTOM OF THE HINGE PIN TO RENDER IT TAMPER PROOF.
12. FURNISH GASKETING FOR BOLT HOLES WHICH MEET OR EXCEED THE REQUIREMENT OF A NEMA 3R RATING.
13. THE DOOR SHALL BE RAIN TIGHT AND DUST PROOF.
14. INSTALL 5/8" DIA. BY 10' COPPER CLAD GROUND ROD WITH CLAMP.
15. USE AN APPROVED SILICON SEALER RTV TYPE GREY IN COLOR OR CLEAR, BETWEEN CABINET AND FOUNDATION.



PANEL: PP2 MOUNTING: SURFACE TOTAL POLES: 24
PHASE: 1 WIRES: 3 A.I.C. 22K VOLTAGE: 120/240 MAINS: 100A-2P M.C.B

DESCRIPTION OF LOADS	KVA LOAD		BREAKER		XT	XT	BREAKER		KVA LOAD		DESCRIPTION OF LOADS
	A#	B#	FRAME	TRIP			POLES	A#	B#	RECEPTACLES	
POLE LTG	1.1		100	20	2	1	2	1	20	100	7
	1.1					3					
						4					
POLE LTG	1.1		100	20	2	5					
	1.1					6					
						7					
FLAGPOLE LTG	.4		100	20	2	9					
	.4					10					
						11					
SPARE			100	20	2	13					
						14					
						15					
SPARE			100	20	2	17					
						18					
						19					
SPARE			100	20	2	21					
						22					
						23					
						24					

PHASE A: 3.3 PHASE B: 2.6 TOTAL: 5.9
① VIA LIGHTING CONTACTOR LC-1

- NOTE:**
1. FOR INFORMATION ONLY - LOAD CENTER CABINET INSTALLED UNDER CITY OF SALEM CONTRACT No. K-21.

Engineered Building Systems, Inc.
Consulting Engineers
22 MANCHESTER ROAD, SUITE 8A
DERRY, NH 03098
TEL: (603) 870-9009 FAX: (603) 432-4255
E-Mail: ebs@ebsnh.net

STAMP

SITE ELECTRICAL DETAILS

**SALEM HARBORWALK
DERBY STREET TO CONGRESS STREET
SALEM, MASSACHUSETTS**

Vine Associates, Inc.
372 MERRIMAC STREET NEWBURYPORT, MA 01950
190 OLD DERBY STREET HINGHAM, MA 02043
18 BEACH STREET MONUMENT BEACH, MA 02553
Tel: (978)465-1428 Fax: (978)465-2640
Tel: (781)749-2550 Fax: (781)749-2751
Tel: (508)743-0390 Fax: (508)743-0391

DES. MTT	CHK. RFG	DR. BL	VAI FILE NO. 25035
SCALE 1"=20'	APP'D RFG	DATE MAY 2009	SE-3